

8007 SERIES

Pneumatic Toggle Clamps | Product Overview

Features:

- Hardened pins and bushing at all pivot points for long life cycle
- Solid clamping bar may be modified to suit application requirements
- Sensor ready for round or T-slot style sensors

Applications:

- Assembly
- Welding

Also Available:

See page MC-PSC-38 for sensing options

8007-E



8007-EHL



8007-EHR



Technical Information | Holding Capacities

Model	Maximum Holding Capacity		Max. Exerting Force @ 5 bar [72 PSI]		Weight	Bore Size	Air Consumption† dm ³ [ft ³]	Port Size
	Inner	Outer	Inner	Outer				
8007-E					1,6 kg [3.53 lbs]			
8007-EHL	[830 lbf] 3700 N	[405 lbf] 1800 N	[606 lbf] 2700 N	[225 lbf] 1000 N		[1.26] 32	[0.016] 0,44	G-1/8
8007-EHR					1,7 kg [3.75 lbs]			

†Per double stroke at 5 bar [72 PSI]

Max Cylinder Pressure: 10bar [145psig]*

Max Operating Temp: -10°C to 90°C [-14°F to 194°F]

Replacement Clamp Assembly: 8007-LC

*In no case should the inlet pressure be high enough to create an exerting force that exceeds the clamp's holding capacity. See Technical Appendix Section for details.

Sensor Accessories

Round Reed Switch with Quick Disconnect

T-slot Reed Switch with Quick Disconnect

Quick Disconnect 2M Extension Cable

Quick Disconnect 5M Extension Cable

Item Number

810169

8EA-109-1

CABL-010

CABL-013

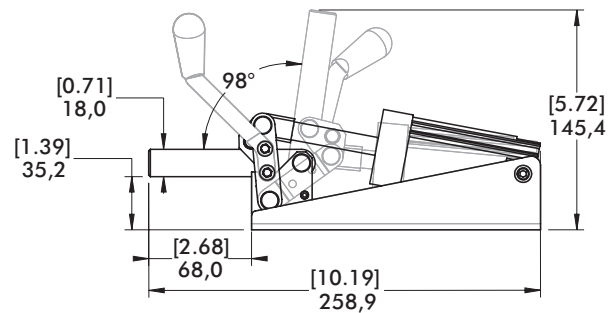
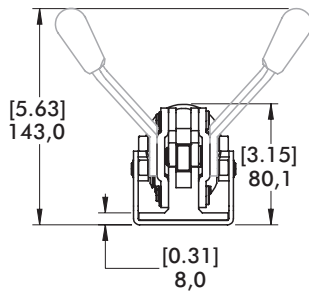
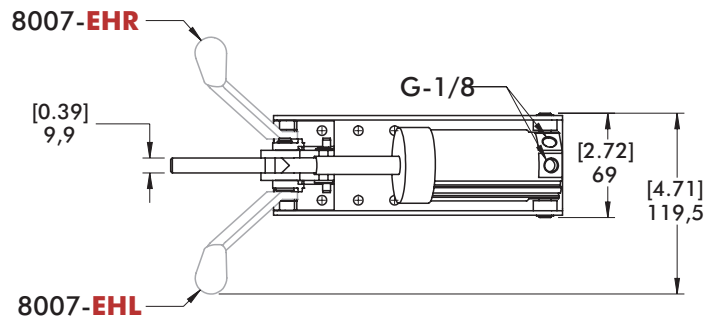
See Pneumatic Accessories section for more options

8007 SERIES

Pneumatic Toggle Clamps | Dimensions | -E/-EHL/-EHR



8007-EHR



8007-E

